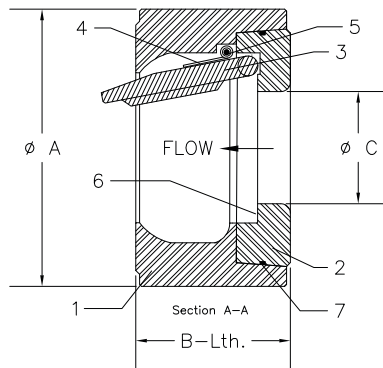
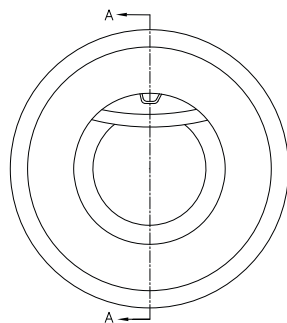




HIGH PERFORMANCE  
HIGH FLOW  
LARGE UNOBSTRUCTED  
FLOW PATH  
RUGGED, HIGH INTEGRITY  
CONSTRUCTION



PARTS LIST

ITEM	PART NAME
1	BODY
2	SEAT INSERT
3	FLAPPER
4	SPRING
5	SPRING PIN
6	SEAT SEAL
7	INSERT RING

Dimensions shown are for installation between ASME B16.5 flanges, ASME B16.47 Series A or MSS SP-44 flanges. HY-GRADE check valves are also available in ASME B16.47 Series B or DIN sizes

Series T Installation Dimensions  
per API Standard 594

SIZE	ASME CLASS	A-Dia		B-LTH		C-Dia		FLANGE FACE	WEIGHT	
		inch	mm	inch	mm	inch	mm		lbs.	kg.
1" 25mm	150	2-1/2	64	1-7/8	48	7/8	22	RF/FF	3	1
	300-600	2-3/4	70	1-7/8	48	7/8	22	RF/FF	4	2
	900-1500	3-1/8	79	1-7/8	48	7/8	22	RF/RJ-16	5	2
	2500	3-3/8	86	2-1/8	54	7/8	22	RF/RJ-18	6	3
1-1/2" 40mm	150	3-3/8	86	2-3/8	60	1-1/3	33	RF/FF	5	2
	300-600	3-3/4	95	2-3/8	60	1-1/3	33	RF/FF	6	3
	900-1500	3-7/8	98	2-3/8	60	1-1/3	33	RF/RJ-20	8	4
	2500	4-1/2	114	2-3/4	70	1-1/3	33	RF/RJ-23	9	4
2" 50mm	150	4-1/8	105	2-3/8	60	1-3/4	44	RF/FF	7	3
	300-600	4-3/8	111	2-3/8	60	1-3/4	44	RF/FF	8	4
	900-1500	5-5/8	143	2-3/4	70	1-3/4	44	RF/RJ-24	17	8
	2500	5-3/4	146	2-3/4	70	1-3/4	44	RF/RJ-26	18	8
2-1/2" 65mm	150	4-7/8	124	2-5/8	67	1-7/8	48	RF/FF	10	5
	300-600	5-1/8	130	2-5/8	67	1-7/8	48	RF/FF	12	5
	900-1500	6-1/2	165	3-1/4	83	1-7/8	48	RF/RJ-27	21	10
	2500	6-5/8	168	3-1/4	83	1-7/8	48	RF/RJ-28	22	10
3" 75mm	150	5-3/8	137	2-7/8	73	2-11/16	68	RF/FF	12	5
	300-600	5-7/8	149	2-7/8	73	2-11/16	68	RF/FF	14	6
	900	6-5/8	168	3-1/4	83	2-11/16	68	RF/RJ-31	27	12
	1500	6-7/8	175	3-1/4	83	2-11/16	68	RF/RJ-35	29	13
	2500	7-3/4	197	3-3/8	86	2-11/16	68	RF/RJ-32	38	17
4" 100mm	150	6-7/8	175	2-7/8	73	3-3/8	86	RF/FF	21	10
	300	7-1/8	181	2-7/8	73	3-3/8	86	RF/FF	23	10
	600	7-5/8	194	3-1/8	79	3-3/8	86	RF/RJ-37	33	15
	900	8-1/8	206	4	102	3-3/8	86	RF/RJ-37	46	21
	1500	8-1/4	210	4	102	3-3/8	86	RF/RJ-39	54	25
	2500	9-1/4	235	4-1/8	105	3-3/8	86	RF/RJ-38	67	30